



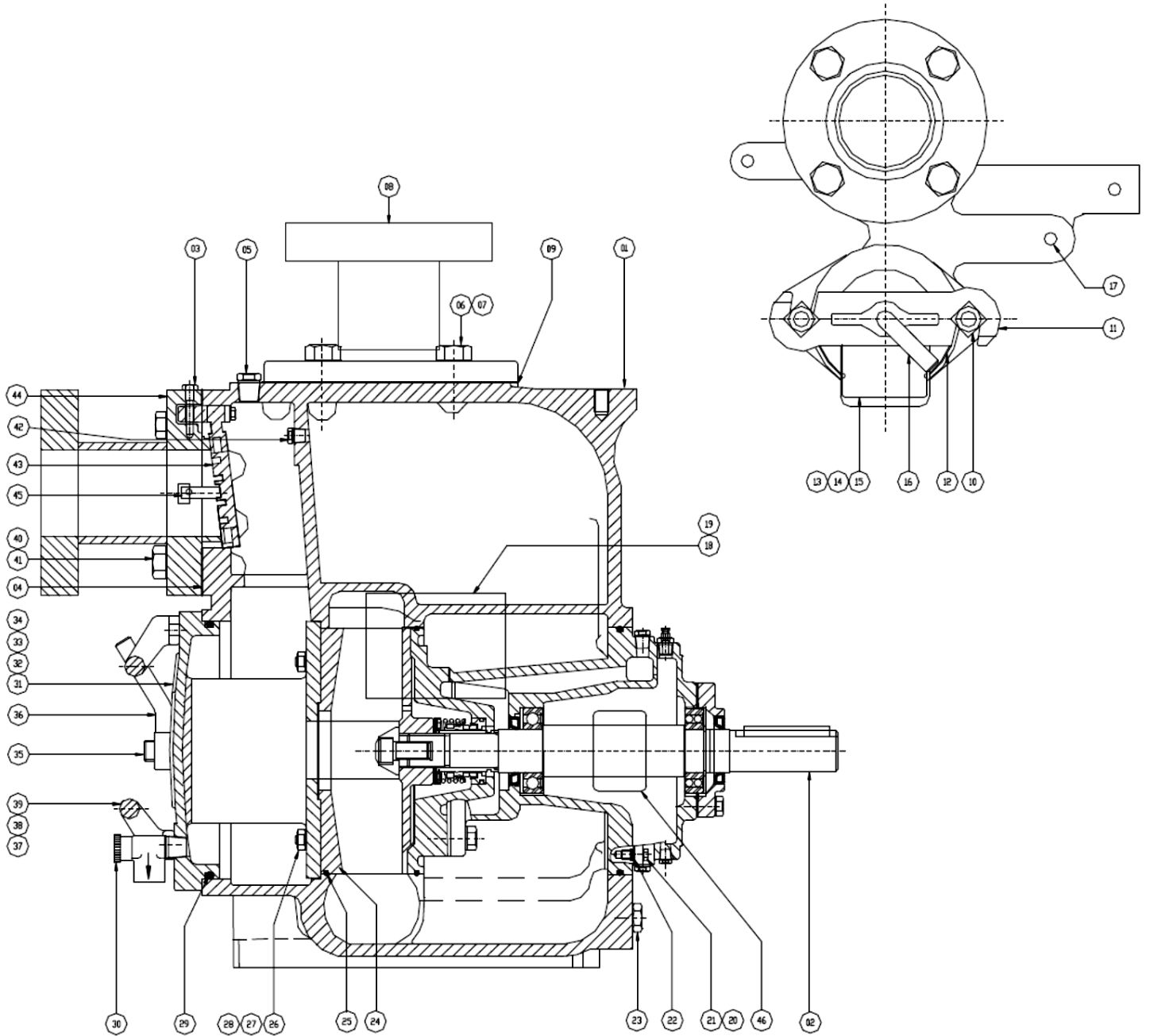
SPARE PARTS LIST

HP-3 SERIES PUMP

ESCO PUMPS
4370 La Jolla Village Drive
Suite 400 / San Diego/CA 92122

PH: (844) 786-7372

SECTION DRAWING



POS.	Q'TY	DESCRIPTION	PART NUMBER
01	1	PUMP CASING	9600134000
02	1	ROTATING ASSEMBLY	9600150000 *
03	1	CHECK VALVE PIN	9901349000
04	1	SUCTION FLANGE GASKET	9901348000 *
05	1	PIPE PLUG	3310271020
06	4	HEX HD CAPSCREW	2101265080
07	4	LOCKWASHER	2321080880
08	1	DISCHARGE SPOOL FLANGE	9802715000
09	1	DISCHARGE FLANGE GASKET	9901344000 *
10	2	MACHINE BOLT	2102565150
11	1	CLAMP BAR	9800868000
12	1	FILL COVER GASKET	9901330000
13	1	FILL COVER ASSY	9901299000
14	1	WARNING PLATE	2321080840
15	2	DRIVE SCREW	2750201200
16	1	CLAMP BAR SCREW	9901311000
17	1	PIPE PLUG	3310271020
18	1	NAME PLATE	9901326000
19	4	DRIVE SCREW	2750201200
20	4	HEX HD CAPSCREW	2101263890
21	4	LOCKWASHER	2321080840
22	4	ROT ASSY SCREW SET	2102133870
23	1	VENTED PLUG	9901372000
24	1	WEAR PLAT ASSY	9700505000
25	1	WEAR PLATE ORING	3606222760 *
26	4	STUD	9901426000
27	4	HEX NUT	2211270020
28	2	LOCKWASHER	2321081360
29	1	BACK COVER ORING	3606222760 *
30	1	PRESSURE RELIEF VALVE	3768500300
31	1	BACK COVER PLATE ASSY	9700486000
32	1	WARNING PLATE	9901328000
33	4	DRIVE SCREW	2750201200
34	1	CAUTION DECAL	9901329000
35	1	STUD	9901347000
36	1	HAND NUT	9901345000
37	1	BACK COVER HANDLE	9800887000
38	4	HEX HD CAPSCREW	2101262570
39	4	LOCKWASHER	2321090800
40	4	LOCKWASHER	2750201200
41	4	HEX HD CAPSCREW	2101265100
42	1	PIPE PLUG	3310271020
43	1	VALVE ASSEMBLY	9700465000 *
44	1	SUCTION FLANGE SPOOL	9802711000
45	1	PIPE PLUG	3310271020
46	1	WARNING DECAL	9901433000

*RECOMMENDED SPARE PARTS

SECTION DRAWING

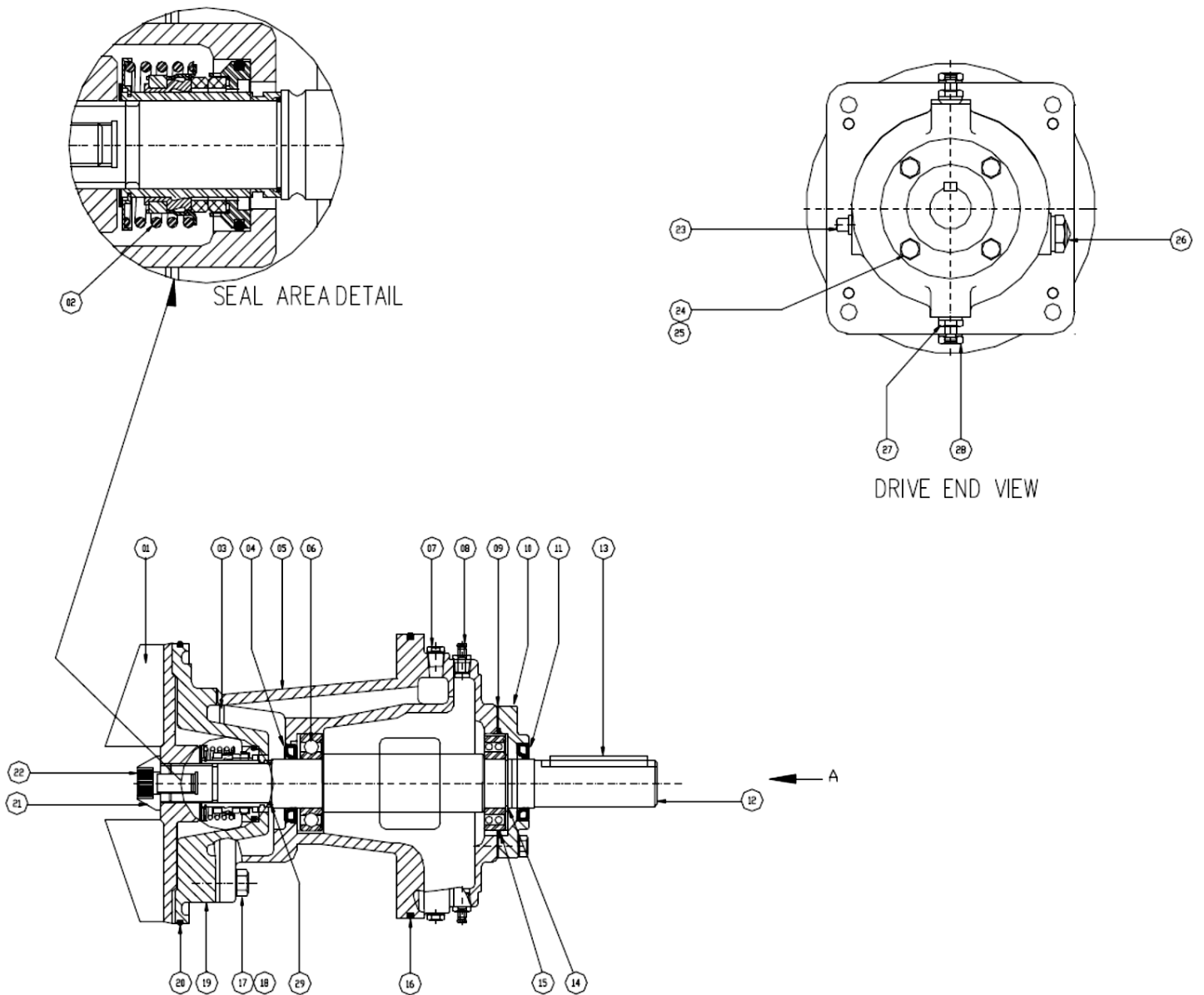


FIGURE 2. REPAIR ROTATING ASSEMBLY HP-3

REPAIR ROTATING ASSEMBLY HP-3

POS.	Q'TY	DESCRIPTION	PART NUMBER
01	1	IMPELLER	9700487000 *
02	1	SEAL ASSEMBLY	9800906000 *
03	1	SEAL PLATE GASKET	9901333000 *
04	1	INBOARD OIL SEAL	3680047800 *
05	1	BEARING HOUSE	9700485000
06	1	INBOARD BALL BEARING	3180012060
07	1	VENTED PLUG	9901335000
08	1	AIR VENT	3310990600
09	1	BEARING CAP GASKET	9901337000 *
10	1	BEARING CAP GASKET	9800870000
11	1	BEARING CAP OIL SEAL	3680047800 *
12	1	IMPELLER SHAFT	9800905000
13	1	SHAFT KEY	9901351000 *
14	1	BEARING RETAINING RING	3921501041
15	1	OUTBOARD BALL BEARING	3180074380
16	1	ROTATING ASSY ORING	3606130690 *
17	4	HEX HD CAPSCREW	2101263890
18	4	LOCKWASHER	2321080840
19	1	SEAL PLATE GASKET	9700488000
20	1	SEAL PLATE ORING	3606222760 *
21	1	IMPELLER WASHER	9901371000 *
22	1	SOCKET HD CAPSCREW	2102141950
23	1	PIPE PLUG	3310271080
24	4	HEX HD CAPSCREW	2101262580
25	4	LOCKWASHER	2321080800
26	1	SIGHT GAUGE	3480500200
27	1	PIPE PLUG	3310271080
28	1	PIPE PLUG	3310271080
29	1	SEAL PLATE ORING	3606220240

*** RECOMMENDED SPARE PARTS**