



SPARE PARTS LIST

LP-10 SERIES PUMP

ESCO PUMPS
4370 La Jolla Village Drive
Suite 400 / San Diego/CA 92122

PH: (844) 786-7372

SECTION DRAWING

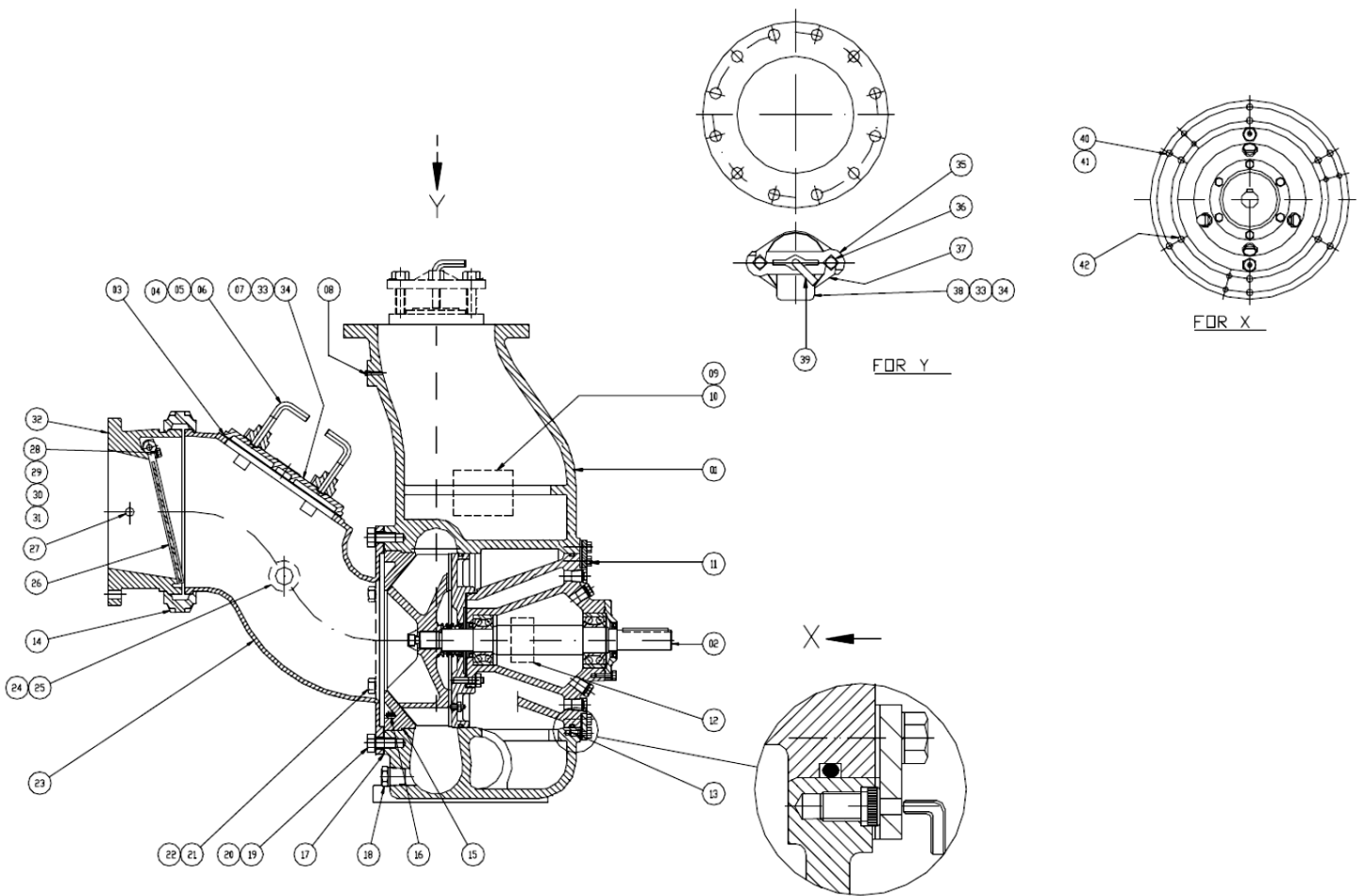


FIGURE 1. PUMP MODEL LP-10

POS.	Q'TY	DESCRIPTION	PART NUMBER
01	1	PUMP CASING	9600126000
02	1	REPAIR ROTATING ASSEMBLY	9600149000 *
03	1	COVER GASKET	9901353000
04	1	CLAMP BAR SCREW	9901311000
05	4	HEX HD CAPSCREW	2102565150
06	1	CLAMP BAR	9800868000
07	1	BACK COVER PLATE ASSY	9800895000
08	1	PIPE PLUG	3310271020
09	1	NAME PLATE	9901325000
10	1	DRIVE SCREW	2750201200
11	1	CASING RING	9901354000
12	1	ROTATION DECAL	9901327000
13	6	ROT ASSY SCREW SET	2102133870
14	1	COUPLING	9700477000
15	1	WEAR PLATE ASSY	9800896000 *
16	6	PIPE PLUG	3310271060
17	1	BACK COVER ORING	1521050400 *
18	1	PIPE PLUG	3310271140
19	2	HEX HD CAPSCREW	2101266420
20	2	LOCKWASHER	2321081540
21	2	HEX HD CAPSCREW	2101265820
22	2	LOCKWASHER	2321280920
23	1	SUCTION HEADSTOCK	9700478000
24	1	PIPE PLUG	3310271120
25	1	PRESS RELIEF VALVE	3768500300 *
26	1	VALVE ASSEMBLY	9700462000
27	1	PIPE PLUG	3310271060
28	2	CHECK VALVE PIN	2101302590
29	2	LOCKWASHER	2321110800
30	4	LOCKWASHER	2320290800
31	2	VALVE ASSEMBLY STAND	9901399000
32	1	SUCTION FLANGE	9800884000
33	1	WARNING PLATE	9901331000
34	2	DRIVE SCREW	2750201200
35	1	CLAMP BAR	9800868000
36	2	MACHINE BOLT	2102565150
37	1	FILL COVER GASKET	9901330000 *
38	1	FILL COVER ASSEMBLY	9901299000
39	1	CLAMP BAR SCREW	9901311000
40	6	HEX HD CAPSCREW	2101263890
41	6	LOCKWASHER	2321080840
42	6	HEX HD CAPSCREW	2101263890

***RECOMMENDED SPARE PARTS**

SECTION DRAWING

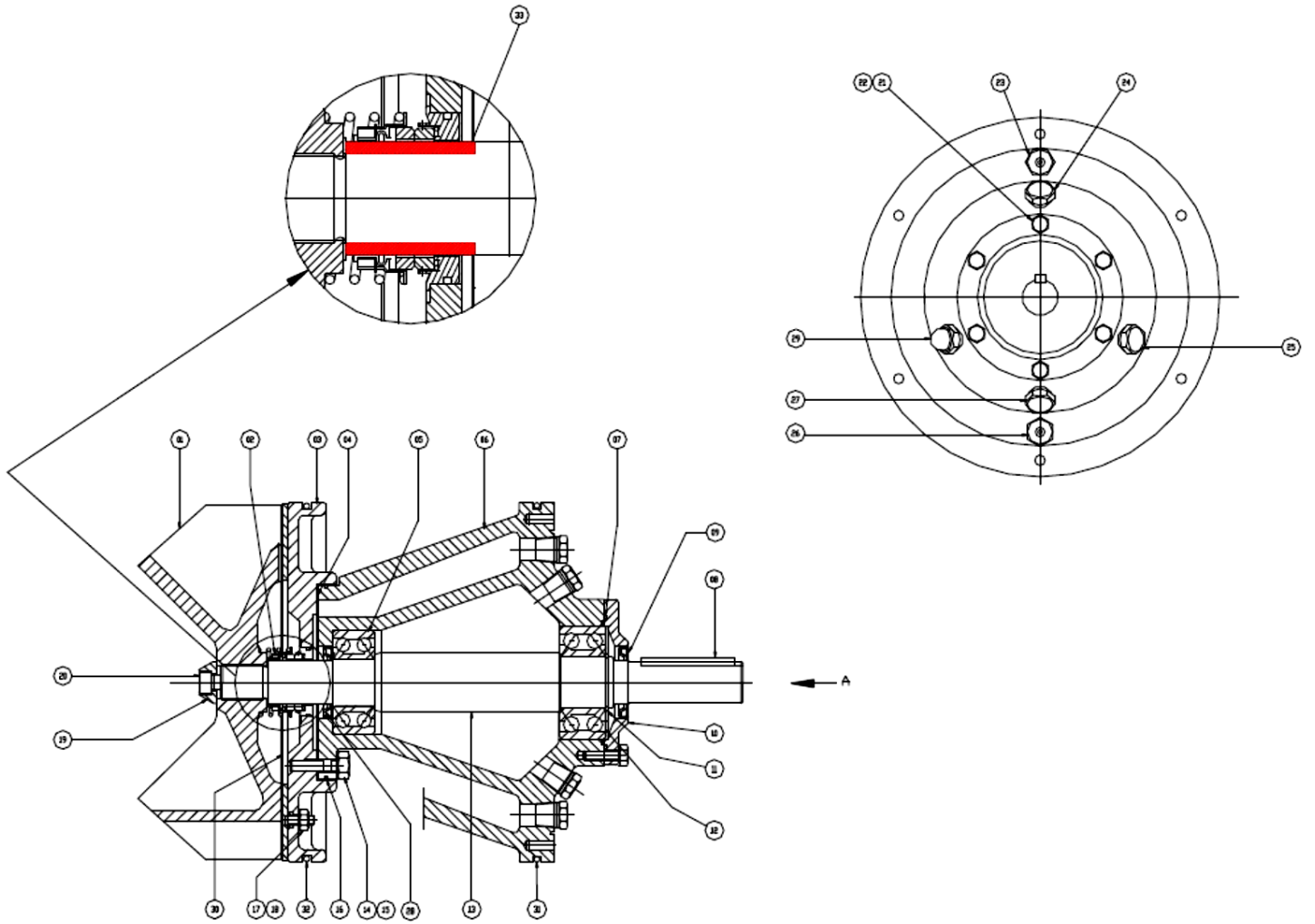


FIGURE 2. REPAIR ROTATING ASSEMBLY LP-10

REPAIR ROTATING ASSEMBLY LP-10

POS.	Q'TY	DESCRIPTION	PART NUMBER
01	1	IMPELLER	9700479000 *
02	1	SEAL ASSEMBLY	9800907000 *
03	1	SEAL PLATE	9700471000
04	1	SEAL PLATE GASKET	9901356000 *
05	1	INBOARD BALL BEARING	3180074480 *
06	1	BEARING HOUSE	9600127000
07	1	BEARING CAP ORING	3606124980 *
08	1	SHAFT KEY	9901357000 *
09	1	BEARING CAP OIL SEAL	3680049460
10	1	BEARING CAP	9901358000
11	1	BEARING RETAINING RING	2322600380
12	1	OUTBOARD BALL BEARING	3180074570 *
13	1	IMPELLER SHAFT	9800897000 *
14	4	HEX HD CAPSCREW	2101191380
15	4	LOCKWASHER	2321080840
16	1	SEAL PLATE ORING	3606127530 *
17	4	HEX NUT	2211270030
18	4	LOCKWASHER	2321080800
19	1	IMPELLER SWASHER	9901313000
20	1	IMPELLER CAPSCREW	2102141950
21	6	HEX HD CAPSCREW	2101262590
22	6	LOCKWASHER	2321080800
23	1	VENTED PLUG	9901360000
24	1	VENTED PLUG	9901360000
25	1	PIPE PLUG	3310271080
26	1	PIPE PLUG	3310271080
27	1	PIPE PLUG	3310271080
28	1	BEARING CAP OIL SEAL	3680049460 *
29	1	SIGHT GAUGE	3480500200
30	1	BACK WEAR PLATE ASSY	9800883000 *
31	1	ROTATING ASSY ORING	3606224580 *
32	1	SEAL PLATE ORING	3606224580 *
33	1	SHAFT SLEEVE	1235916000

*** RECOMMENDED SPARE PARTS**