



SPARE PARTS LIST

LP-2 SERIES PUMP

ESCO PUMPS
4370 La Jolla Village Drive
Suite 400 / San Diego/CA 92122

PH: (844) 786-7372

SECTION DRAWING

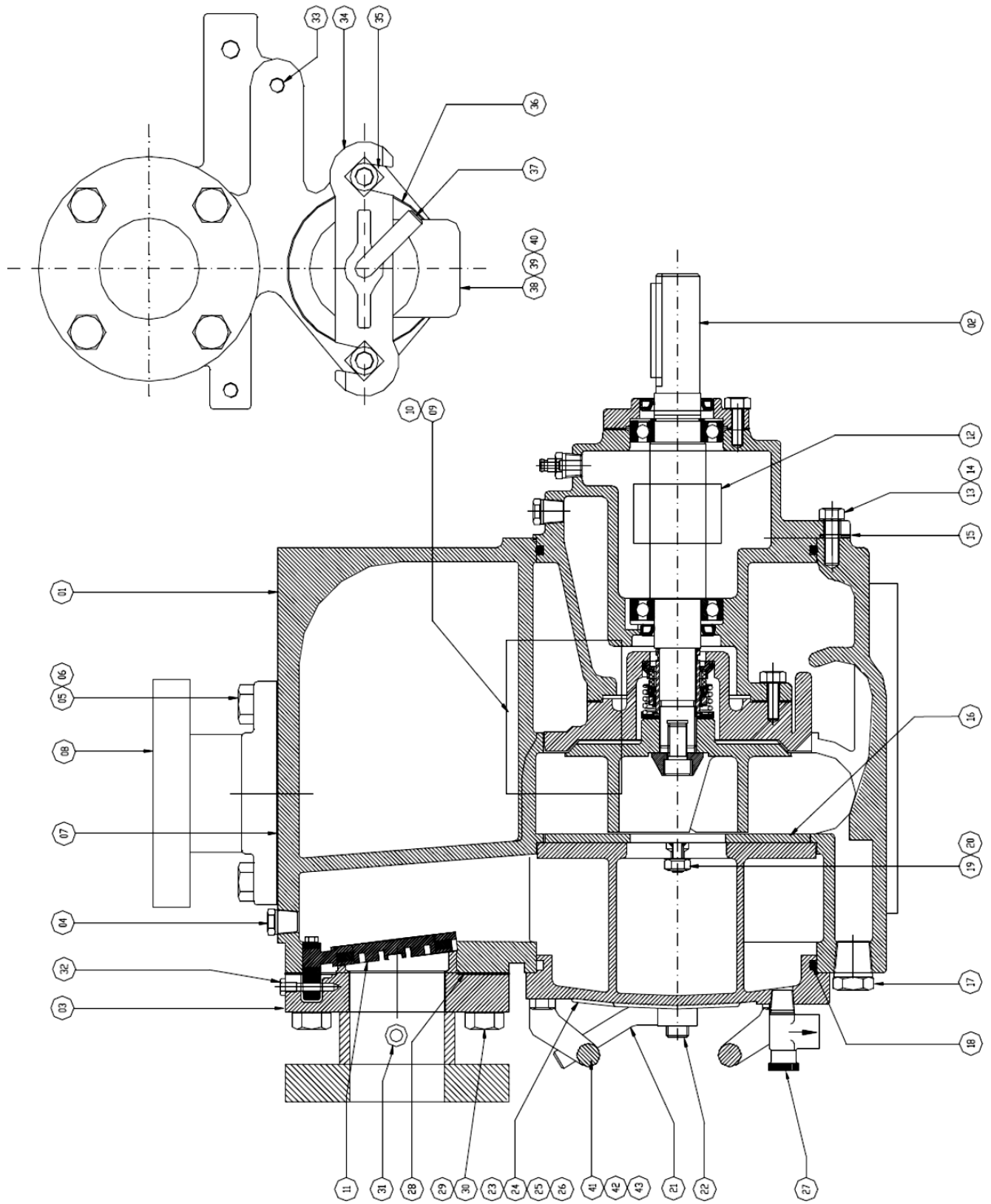


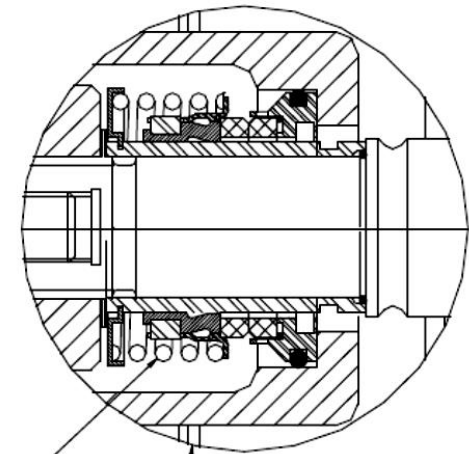
FIGURE 1. PUMP MODEL LP-2

POS.	Q'TY	DESCRIPTION	PART NUMBER
01	1	PUMP CASING	9600333000
02	1	REPAIR ROTATING ASSEMBLY	9700869000 *
03	1	SUCTION SPOOL FLANGE	9902522000
04	1	PIPE PLUG	3310271020
05	4	HEX HD CAPSCREW	2101265080
06	4	LOCKWASHER	2321080880
07	1	DISCHARGE FLANGE GASKET	9902159000 *
08	1	DISCHARGE SPOOL FLANGE	9902526000
09	1	NAME PLATE	9901325000
10	4	DRIVE SCREW	2750201200
11	1	SUCTION CHECK VALVE ASSEMBLY	9801929000 *
12	1	ROTATION DECAL	9901433000
13	4	HEX HD CAPSCREW	2101263890
14	4	LOCKWASHER	2321080840
15	4	ROTATING ASSEMBLY SCREW SET	2102133870 *
16	1	WER PLATE ASSEMBLY	9902155000 *
17	1	CASING DRAIN PLUG	3310271080
18	1	BACK COVER ORING	3606222600 *
19	4	HEX NUT	2211270030
20	4	LOCKWASHER	2321080800
21	2	HAND NUT	9901345000
22	2	STUD	2105302250
23	1	BACK COVER PLATE ASSEMBLY	9700902000 *
24	1	WARNING PLATE	9901328000
25	4	DRIVE SCREW	2750201200
26	1	CAUTION DECAL	9901329000
27	1	PRESSURE RELIEF VALVE	3768500300
28	1	SUCTION FLANGE GASKET	9902161000 *
29	4	HEX HD CAPSCREW	2101265080
30	4	LOCKWASHER	2321080880
31	1	PIPE PLUG	3310271020
32	1	CHECK VALVE PIN	9902273000
33	1	PIPE PLUG	3310271020
34	1	CLAMP BAR	9800868000
35	2	HEX HD CAPSCREW	2102565150
36	1	FILL COVER GASKET	9902160000 *
37	1	CLAMP BAR SCREW	9901311000
38	1	FILL COVER ASSEMBLY	9901299000
39	1	WARNING PLATE	9901331000
40	2	DRIVE SCREW	2750201200
41	2	BACK COVER PLATE	9802080000
42	4	HEX HD CAPSCREW	2101262570
43	4	LOCKWASHER	2321080800

***RECOMMENDED SPARE PARTS**

SECTION DRAWING

DRIVE END VIEW



SEAL AREA DETAIL

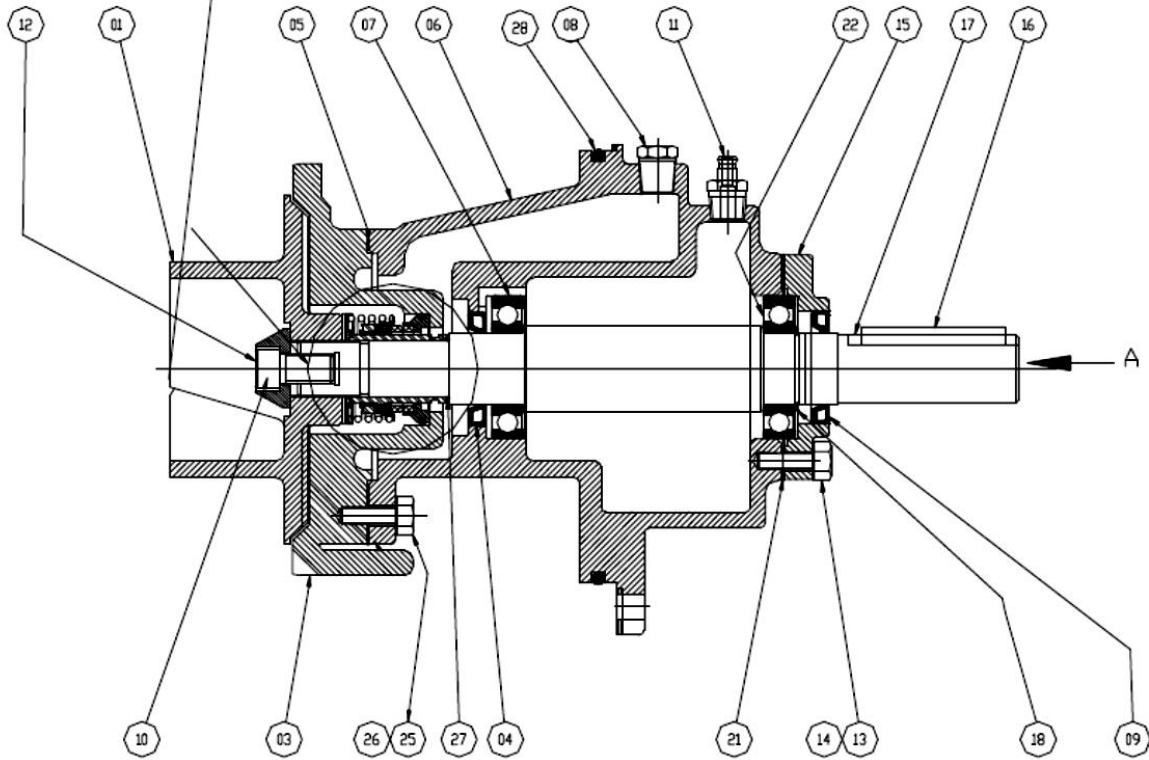
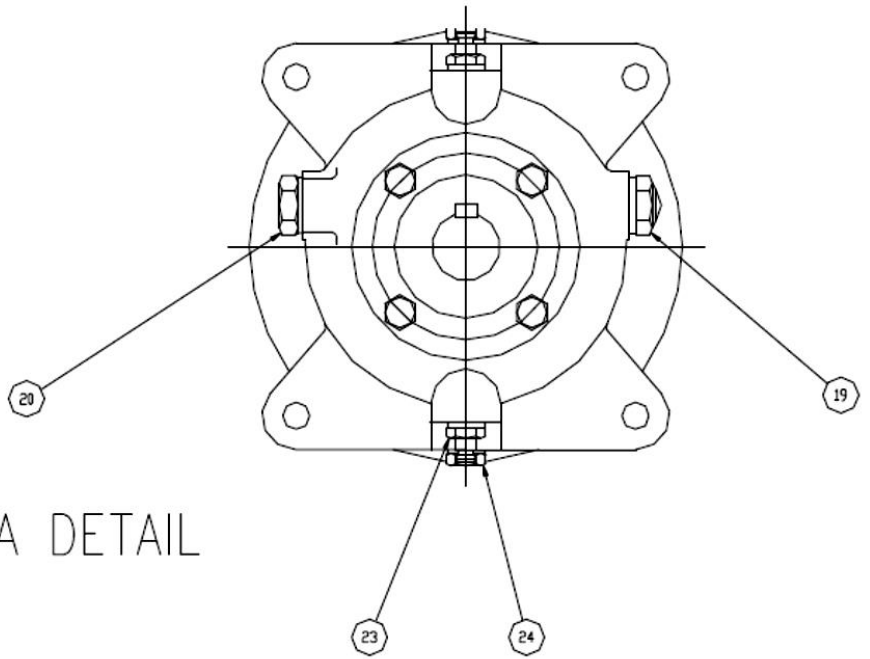


FIGURE 2. REPAIR ROTATING ASSEMBLY LP-2

REPAIR ROTATING ASSEMBLY LP-2

POS.	Q'TY	DESCRIPTION	PART NUMBER
01	1	IMPELLER	9800899000 *
02	1	SEAL ASSEMBLY	9800906000 *
03	1	SEAL PLATE	9700919000
04	1	INBOARD OIL SEAL	3680047800 *
05	1	SEAL PLATE GASKET	9902272000 *
06	1	BEARING HOUSE	9700934000
07	1	INBOARD BALL BEARING	3180011970 *
08	1	VENTED PLUG	9901335000
09	1	BEARING CAP OIL SEAL	3680047800 *
10	1	SOCKET HD CAPSCREW	2102141950
11	1	AIR VENT	3310990060
12	1	IMPELLER WASHER	9902274000
13	4	HEX HD CAPSCREW	2101262580
14	4	LOCKWASHER	2321080800
15	1	BEARING CAP	9802215000
16	1	SHAFT KEY	9901351000 *
17	1	IMPELLER SHAFT	9802209000
18	1	BEARING RETAINER RING	3921501041
19	1	SIGHT GAUGE	3480500200
20	1	PIPE PLUG	3310271080 *
21	1	BEARING CAP GASKET	9901352000 *
22	1	OUTBOARD BALL BEARING	3180011940
23	1	BEARING HOUSING DRAIN PLUG	3310271060
24	1	SEAL CAVITY DRAIN PLUG	3310271060
25	4	HEX HD CAPSCREW	2101263890
26	4	LOCKWASHER	2321080840
27	1	SEAL PLATE O'RING	3606220240
28	1	ROTATING ASSEMBLY O'RING	3606127530

***RECOMMENDED SPARE PARTS**