



SPARE PARTS LIST

# LP-4 SERIES PUMP

ESCO PUMPS  
4370 La Jolla Village Drive  
Suite 400 / San Diego/CA 92122  
PH: (844) 786-7372

# SECTION DRAWING

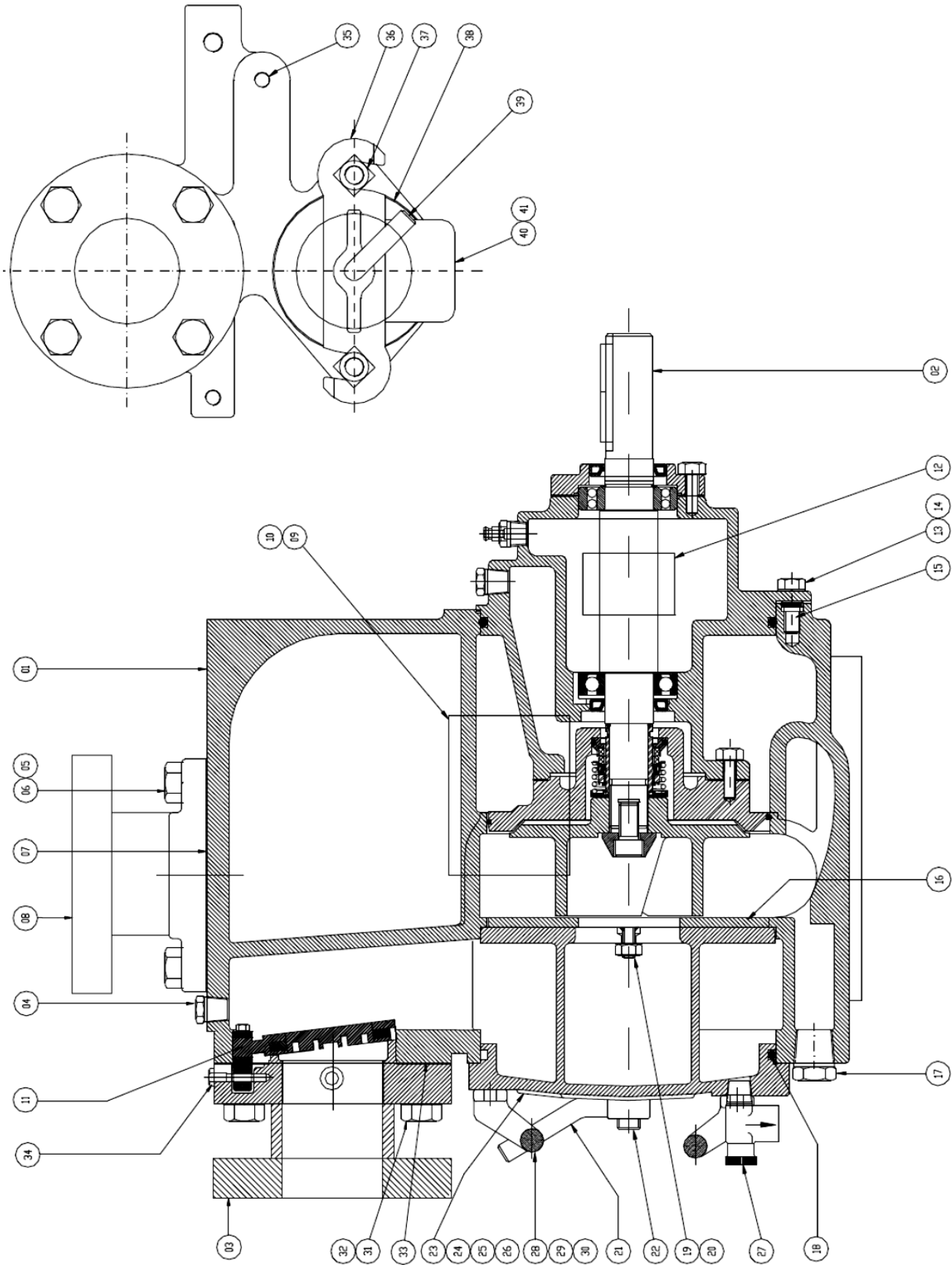


FIGURE 1. PUMP MODEL LP-4

POS.	Q'TY	DESCRIPTION	PART NUMBER
01	1	PUMP CASING	9600135000
02	1	REPAIR ROTATING ASSEMBLY	9600147000 *
03	1	SUCTION SPOOL FLANGE	9802712000
04	1	PIPE PLUG	3310271020
05	4	HEX HD CAPSCREW	2101265080
06	4	LOCKWASHER	2321080880
07	1	DISCHARGE FLANGE GASKET	9901367000 *
08	1	DISCHARGE SPOOL FLANGE	9802528000
09	1	NAME PLATE	9901325000
10	4	DRIVE SCREW	2750201200
11	1	SUCTION CHECK VALVE ASSEMBLY	9700463000 *
12	1	ROTATION DECAL	9901433000
13	4	HEX HD CAPSCREW	2101263890
14	4	LOCKWASHER	2321080840
15	4	ROTATING ASSEMBLY SCREW SET	2102133870 *
16	1	WER PLATE ASSEMBLY	9800904000 *
17	1	CASING DRAIN PLUG	3310271120
18	1	BACK COVER ORING	3606129300 *
19	2	HEX NUT	2211270030
20	2	LOCKWASHER	2321080800
21	2	HAND NUT	9901345000
22	2	STUD	9901347000
23	1	BACK COVER PLATE ASSEMBLY	9700482000 *
24	1	WARNING PLATE	9901328000
25	4	DRIVE SCREW	2750201200
26	1	CAUTION DECAL	9901329000
27	1	PRESSURE RELIEF VALVE	3768500300
28	1	BACK COVER PLATE	9800887000 *
29	4	HEX HD CAPSCREW	2101262570
30	4	LOCKWASHER	2321080880
31	8	HEX HD CAPSCREW	2101265090
32	8	LOCKWASHER	2321080880
33	1	SUCTION CHECK VALVE GASKET	9901366000 *
34	1	CHECK VALVE PIN	9901365000
35	1	PIPE PLUG	3310271020
36	1	CLAMP BAR	9800868000
37	2	MACHINE BOLT	2102565150
38	1	FILL COVER GASKET	9901330000 *
39	1	CLAMP BAR SCREW	9901311000
40	1	FILL COVER ASSEMBLY	9901299000
41	1	WARNING PLATE	9901331000
42	2	DRIVE SCREW	2750201200
43	1	PIPE PLUG	3310271020

**\*RECOMMENDED SPARE PARTS**

# SECTION DRAWING

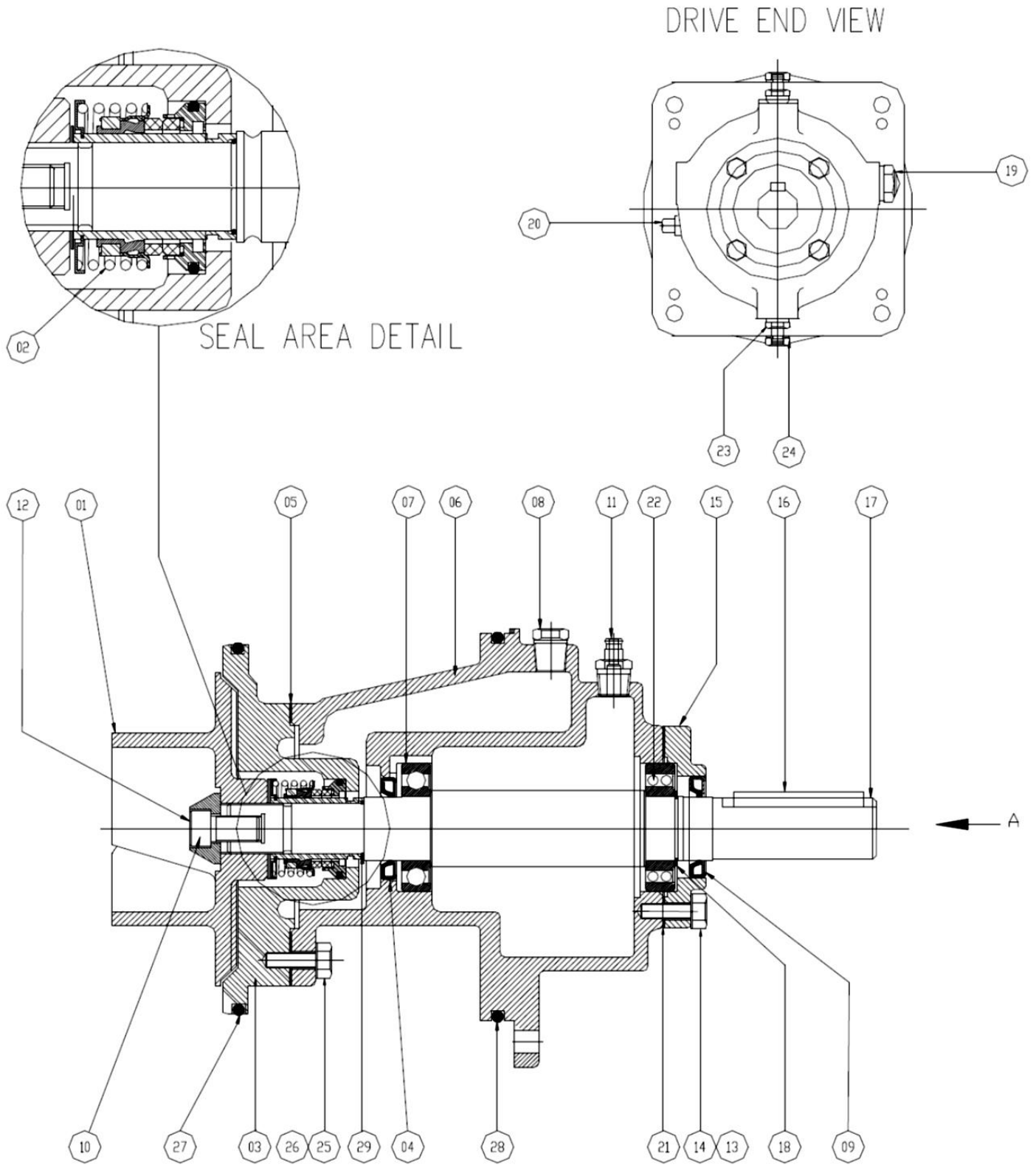


FIGURE 2. REPAIR ROTATING ASSEMBLY LP-4

## REPAIR ROTATING ASSEMBLY LP-4

POS.	Q'TY	DESCRIPTION	PART NUMBER
01	1	IMPELLER	9700489000 *
02	1	SEAL ASSEMBLY	9800906000 *
03	1	SEAL PLATE	9700491000
04	1	INBOARD OIL SEAL	3680047800 *
05	1	SEAL PLATE GASKET	9901333000 *
06	1	BEARING HOUSE	9700490000
07	1	INBOARD BALL BEARING	3180012060 *
08	1	VENTED PLUG	9901335000
09	1	BEARING CAP OIL SEAL	3680047800 *
10	1	SOCKET HD CAPSCREW	2102141950
11	1	AIR VENT	3310990060
12	1	IMPELLER WASHER	9901313000
13	4	HEX HD CAPSCREW	2101262580
14	4	LOCKWASHER	2321080800
15	1	BEARING CAP	9800870000
16	1	SHAFT KEY	9901351000 *
17	1	IMPELLER SHAFT	9901312000
18	1	BEARING RETAINER RING	3921501041
19	1	SIGHT GAUGE	3480500200
20	1	PIPE PLUG	3310271080 *
21	1	BEARING CAP GASKET	9901337000 *
22	1	OUTBOARD BALL BEARING	3180074380
23	1	BEARING HOUSING DRAIN PLUG	3310271060
24	1	SEAL CAVITY DRAIN PLUG	3310271060
25	4	HEX HD CAPSCREW	2101263890
26	4	LOCKWASHER	2321080840
27	1	SEAL PLATE O'RING	3606129160
28	1	ROTATING ASSEMBLY O'RING	3606129300

**\* RECOMMENDED SPARE PARTS**