



SPARE PARTS LIST

LP-8 SERIES PUMP

ESCO PUMPS
4370 La Jolla Village Drive
Suite 400 / San Diego/CA 92122
PH: (844) 786-7372

SECTION DRAWING

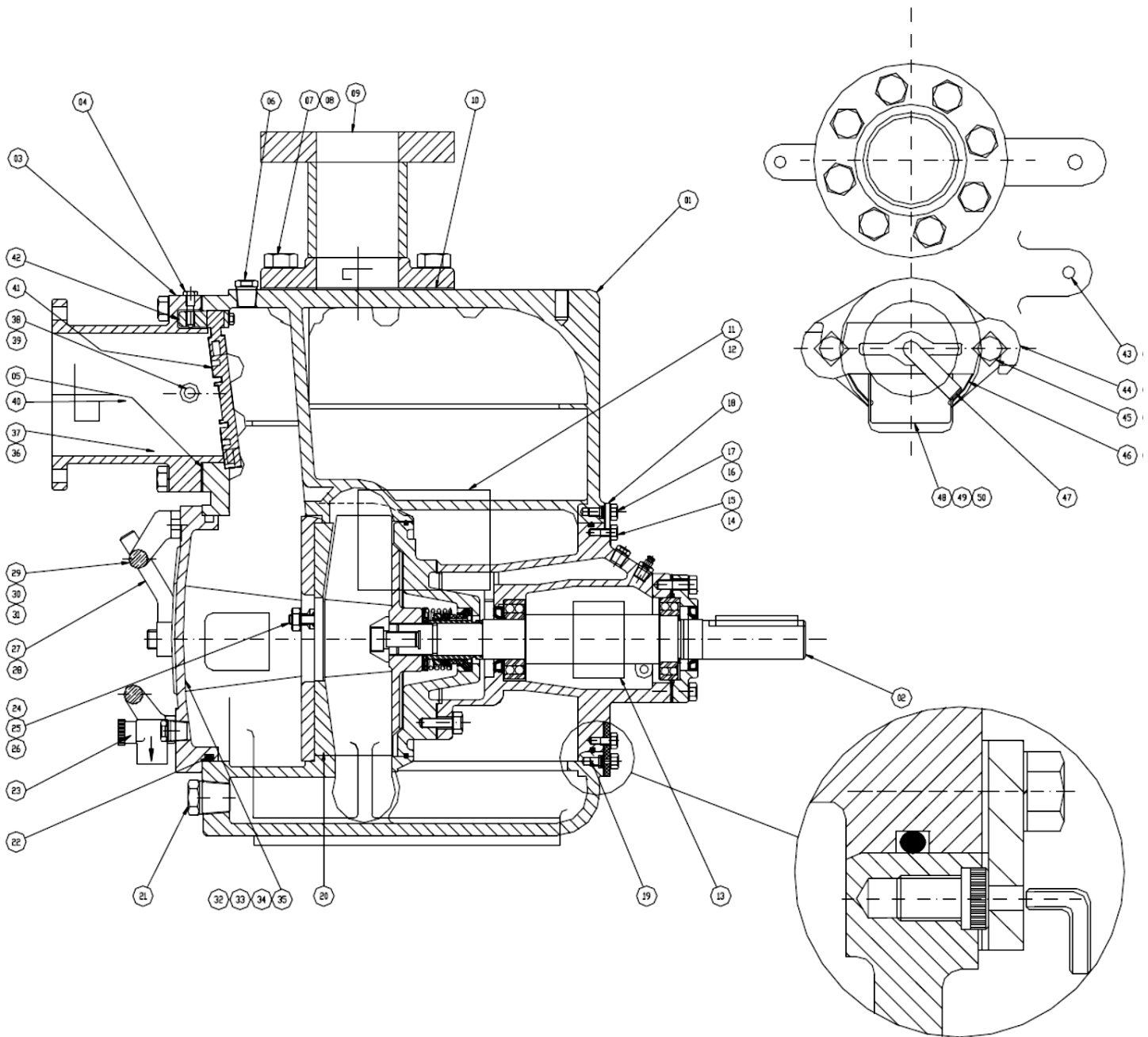


FIGURE 1. PUMP MODEL LP-8

POS.	Q'TY	DESCRIPTION	PART NUMBER
01	1	PUMP CASING	9600153000
02	1	REPAIR ROTATING ASSEMBLY	9600148000
03	1	SUCTION SPOOL FLANGE	9700493000
04	1	CHECK VALVE PIN	9901373000
05	1	SUCTION FLANGE GASKET	9901374000 *
06	1	PIPE PLUG	3310271020
07	8	HEX HD CAPSCREW	2101265850
08	8	LOCKWASHER	2321080920
09	1	DISCHARGE SPOOL FLANGE	9802860000
10	1	DISCHARGE FLANGE GASKET	9901375000 *
11	1	NAME PLATE	9901325000
12	4	DRIVE SCREW	2750201200
13	1	ROTATION DECAL	9901433000
14	6	HEX HD CAPSCREW	2101263880
15	6	LOCKWASHER	2321080840
16	6	HEX HD CAPSCREW	2101263890
17	6	LOCKWASHER	2321080840
18	1	CASING RING	9901354000
19	6	ROTATING ASSEMBLY SCREW SET	2102133870 *
20	1	WEAR PLATE ASSEMBLY	9700492000 *
21	1	CASING DRAIN PLUG	3310271160
22	1	BACK COVER ORING	3606224590 *
23	1	PRESSURE RELIEF VALVE	3768500300
24	3	STUD	9901376000
25	3	LOCKWASHER	2321080840
26	3	HEX NUT	2211270050
27	4	HAND NUT	9901309000
28	4	STUD	9911432000
29	4	BACK COVER PLATE	9800887000
30	8	HEX HD CAPSCREW	2101262570
31	8	LOCKWASHER	2321090800
32	1	BACK COVER PLATE ASSEMBLY	9700522000 *
33	1	WARNING PLATE	9901328000
34	4	DRIVE SCREW	2750201200
35	1	CAUTION DECAL	9901329000
36	8	HEX HD CAPSCREW	2101265850
37	8	LOCKWASHER	2321080920
38	1	PIPE PLUG	3310271020
39	1	PIPE PLUG	3310271020
40	1	SUCTION STICKER	9901340000
41	1	SUCTION CHECK VALVE ASSEMBLY	9700464000 *
42	1	DISCHARGE DECAL	9901341000
43	1	PIPE PLUG	3310271020
44	1	CLAMP BAR	9800868000
45	1	HEX HD CAPSCREW	2102565150
46	1	FILL COVER GASKET	9901330000 *
47	1	CLAMP BAR SCREW	9901311000
48	1	FILL COVER ASSEMBLY	9901299000
49	1	WARNING PLATE	9901331000
50	1	DRIVE SCREW	2750201200

***RECOMMENDED SPARE PARTS**

SECTION DRAWING

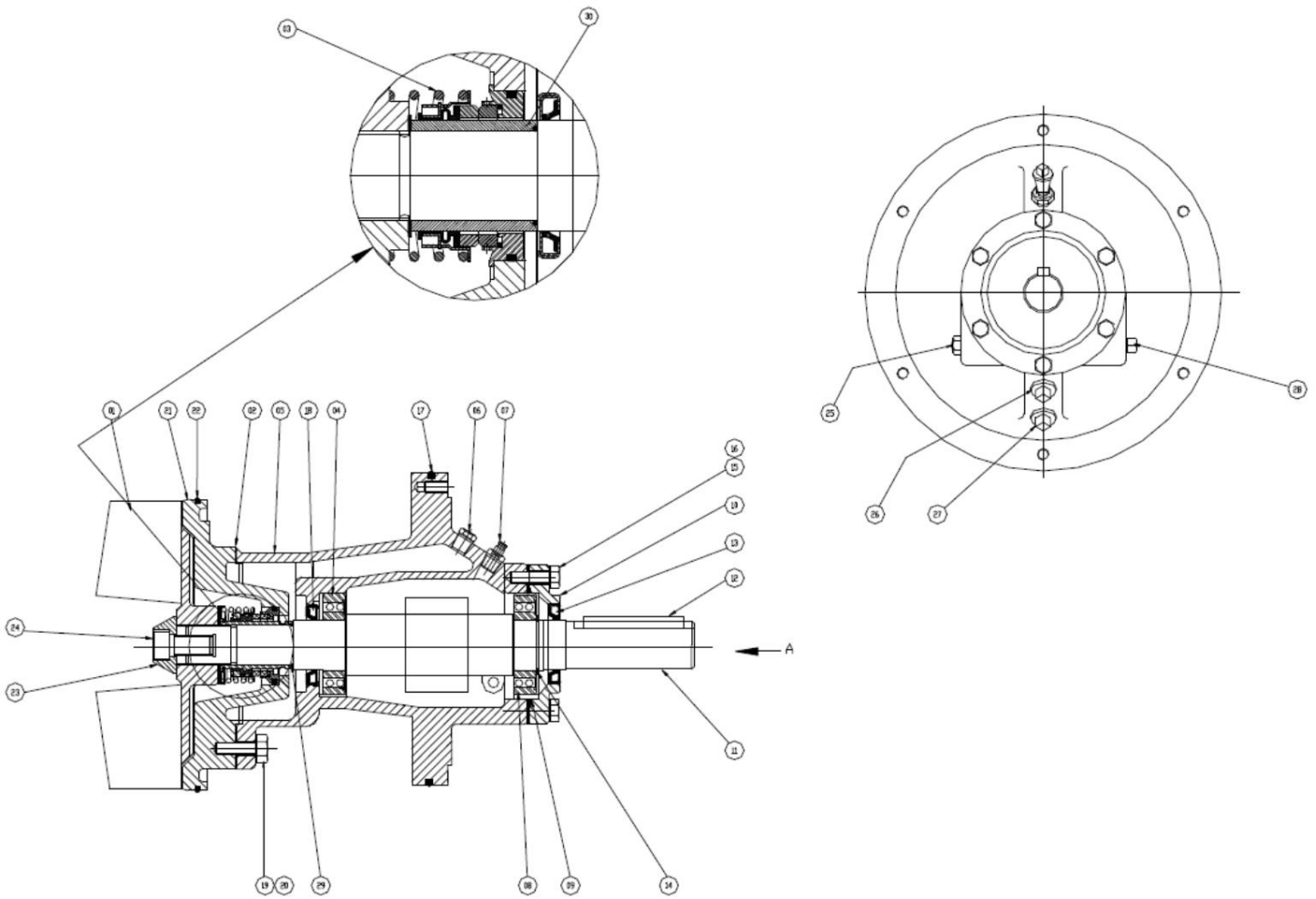


FIGURE 2. REPAIR ROTATING ASSEMBLY LP-8

REPAIR ROTATING ASSEMBLY LP-8

POS.	Q'TY	DESCRIPTION	PART NUMBER
01	1	IMPELLER	9700494000 *
02	1	SEAL PLATE GASKET	9901377000 *
03	1	SEAL ASSEMBLY	9800907000 *
04	1	INBOARD BALL BEARING	3180074480 *
05	1	BEARING HOUSE	9700496000
06	1	PIPE PLUG	9901335000
07	1	VENTED PLUG	3310990600
08	1	OUTBOARD BALL BEARING	3180074570 *
09	1	BEARING HOUSE ORING	3606124980 *
10	1	BEARING CAP	9901358000
11	1	IMPELLER SHAFT	9800917000
12	1	SHAFT KEY	9901357000 *
13	1	OUTBOARD OIL SEAL	3680049460 *
14	1	BEARING REATIANING RING	2322600360
15	4	HEX HD CAPSCREW	2101262590
16	4	LOCKWASHER	2321080800
17	1	ROTATING ASSEMBLY ORING	3606224580 *
18	1	INBOARD OIL SEAL	3680049460 *
19	4	HEX HD CAPSCREW	2101265070
20	4	LOCKWASHER	2321080880
21	1	SEAL PLATE	9700495000
22	1	SEAL PLATE ORING	3606131840 *
23	1	IMPELLER WASHER	9901313000
24	1	IMPELLER CAPSCREW	2102141950
25	1	SIGHT GAUGE	3480500200
26	1	PIPE PLUG	3310271060
27	1	PIPE PLUG	3310271060
28	1	PIPE PLUG	3310271080
29	1	SEAL ASSEMBLY ORING	3606220260
30	1	SLEEVE SEAL	1235916000

*** RECOMMENDED SPARE PARTS**